

VALIANT COMMUNICATIONS LIMITED



16 x E1 Splitter (120 Ohms)

Data Sheet & Product Brochure

VALIANT COMMUNICATIONS LIMITED

71/1, Shivaji Marg, New Delhi - 110015, India

Phone: +91-11 4105 5601, +91-11 4105 5602,
+91-11 4105 5603, +91-11 2592 8415,
+91-11 2592 8416, +91-11 2541 0053

Fax: +91-11 4105 5604, +91-11 2543 4300

E-mail: getinfo@valiantcom.com

Website: <http://www.valiantcom.com>

VALIANT COMMUNICATIONS (UK) LTD

1, Acton Hill Mews,
300-328 Uxbridge Road,
London W3 9QN
United Kingdom

E-mail : uk@valiantcom.com

Website: <http://www.valiantcom.com>

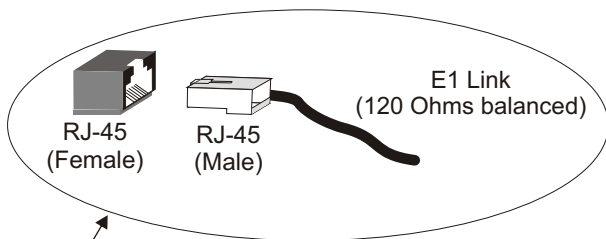
16 x E1 Splitter (120 Ohms) - What does it do?

The 16 x E1 Splitter (120 Ohms) “Splits” the E1 signal that it receives between two E1 ports, by monitoring the same E1 signal on two ports, simultaneously.

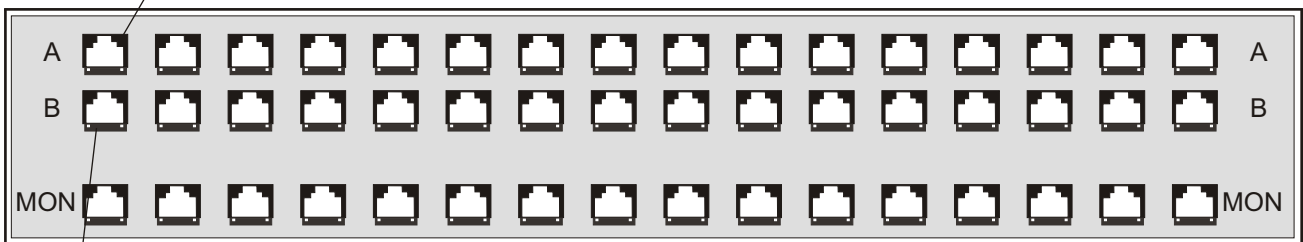
Application - Where is it used?

The 16 x E1 Splitter (120 Ohms) may be used in application that require the E1 signal input to be simultaneously connected to active terminal equipment, while at the same time connecting it to “shadow” equipment such as call loggers, voice call recorders, data recorders or any other such equipment that does not load the active E1 link in any way and connects to the live E1 links non-intrusively.

Connecting/patching E1 Main Link on E1 (120 Ohms) Splitter



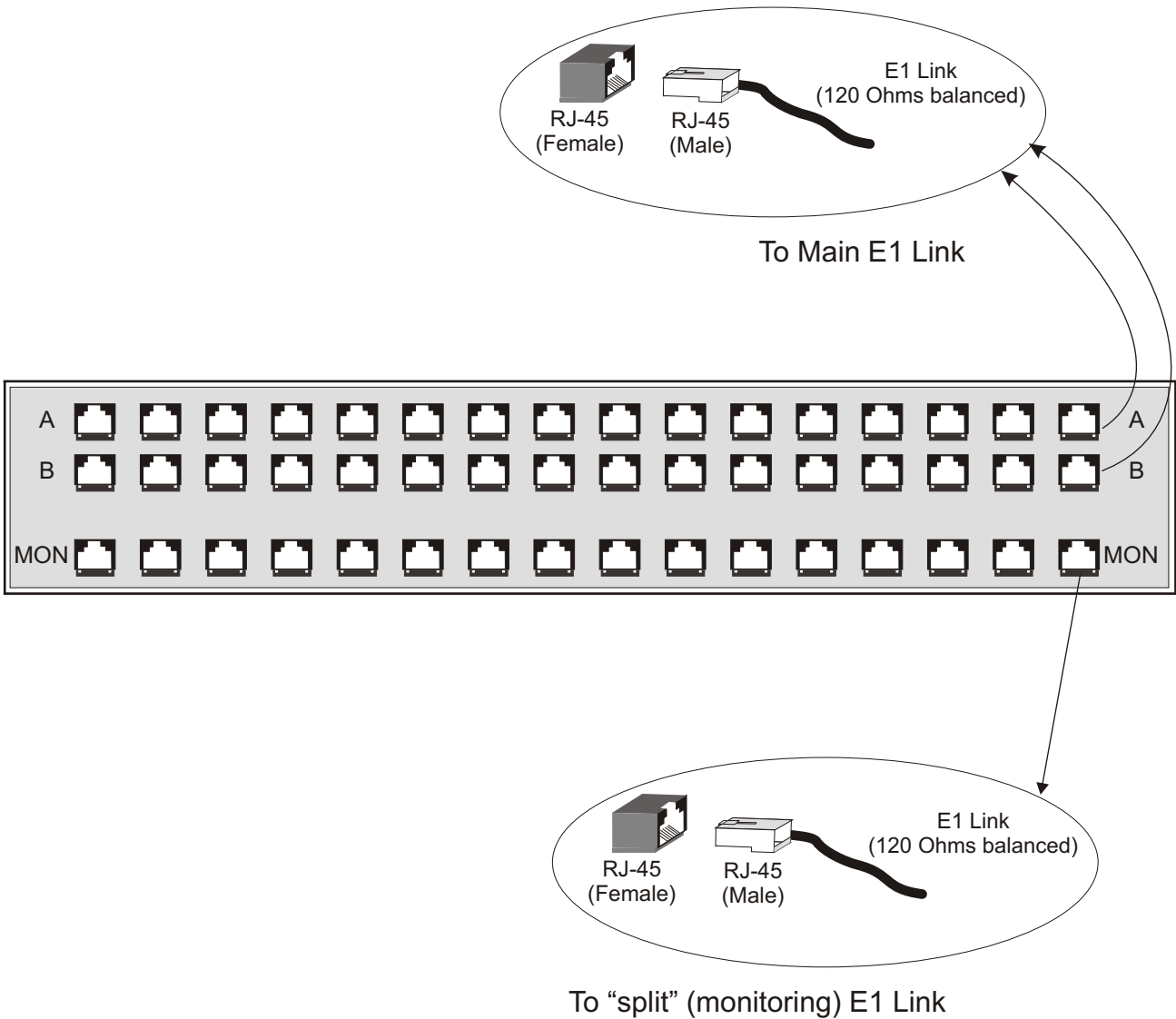
This Port (Port **A**) connects to the Main E1 link.



This Port (Port **B**) connects to the Main E1 link.

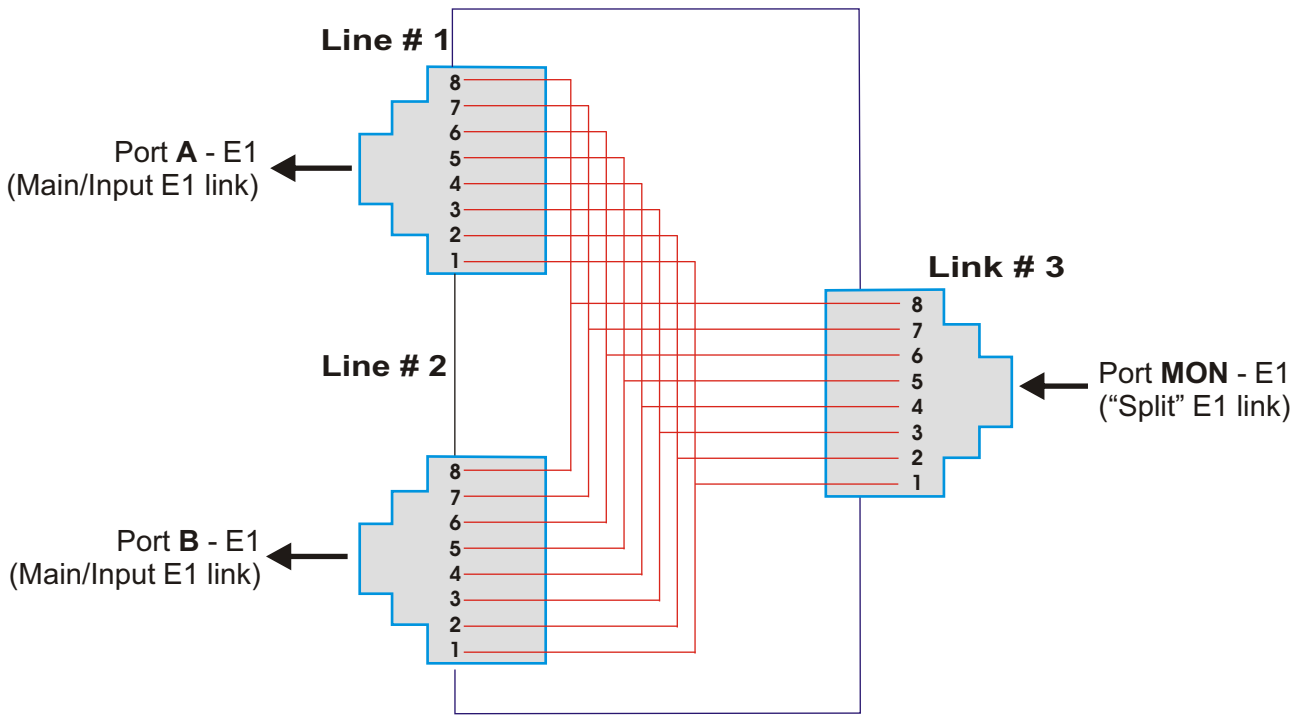
The RJ-45 connectors (Row A and Row B) are used for patching the (Data IN / Data OUT) Main E1 Link.

Connecting the “Split” E1 Link on the E1 (120 Ohms) Splitter



The MON Port (RJ-45 Connectors in the Row marked **MON**) provide the “Split” mirror image of the Main E1 link patched between the RJ-45 connectors on Row A and Row B.

16 x E1 Splitter (120 Ohms) Panel - Circuit Schematic



Splitter Panel

R = 0 Ohm

Mechanical Specification

Rack Mounting	Standard 19 Inch. DIN Rack
Height	133.33mm.
Depth	292mm.
Width	482mm.
Weight	1.4 kg.

Ordering Information

16 x E1, 120 Ohms Splitter			
S No.	Part #	Product Description	Qty
1	VCL-1240-SPLIT-120	16 x E1, 120 Ohms Splitter	1

