

# VALIANT COMMUNICATIONS LIMITED



## **16 x T1 Splitter (100 Ohms)**

Data Sheet & Product Brochure

### **VALIANT COMMUNICATIONS LIMITED**

71/1, Shivaji Marg, New Delhi - 110015, India

**Phone:** +91-11 4105 5601, +91-11 4105 5602,  
+91-11 4105 5603, +91-11 2592 8415,  
+91-11 2592 8416, +91-11 2541 0053

**Fax:** +91-11 4105 5604, +91-11 2543 4300

**E-mail:** [getinfo@valiantcom.com](mailto:getinfo@valiantcom.com)

**Website:** <http://www.valiantcom.com>

### **VALIANT COMMUNICATIONS (UK) LTD**

1, Acton Hill Mews,  
300-328 Uxbridge Road,  
London W3 9QN  
United Kingdom

**E-mail :** [uk@valiantcom.com](mailto:uk@valiantcom.com)

**Website:** <http://www.valiantcom.com>

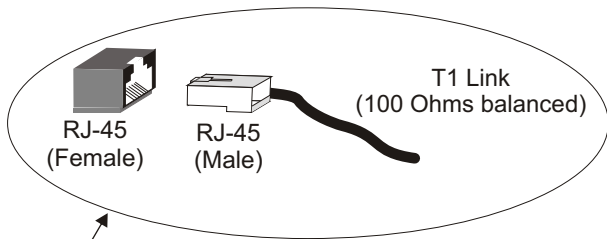
### 16 x T1 Splitter (100 Ohms) - What does it do?

The 16 x T1 Splitter (100 Ohms) “Splits” the T1 signal that it receives between two T1 ports, by monitoring the same T1 signal on two ports, simultaneously.

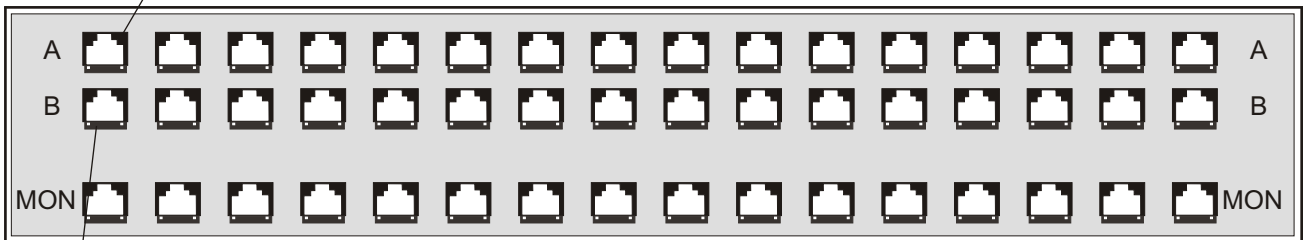
### Application - Where is it used?

The 16 x T1 Splitter (100 Ohms) may be used in application that require the T1 signal input to be simultaneously connected to active terminal equipment, while at the same time connecting it to “shadow” equipment such as call loggers, voice call recorders, data recorders or any other such equipment that does not load the active T1 link in any way and connects to the live T1 links non-intrusively.

### Connecting/patching T1 Main Link on T1 (100 Ohms) Splitter



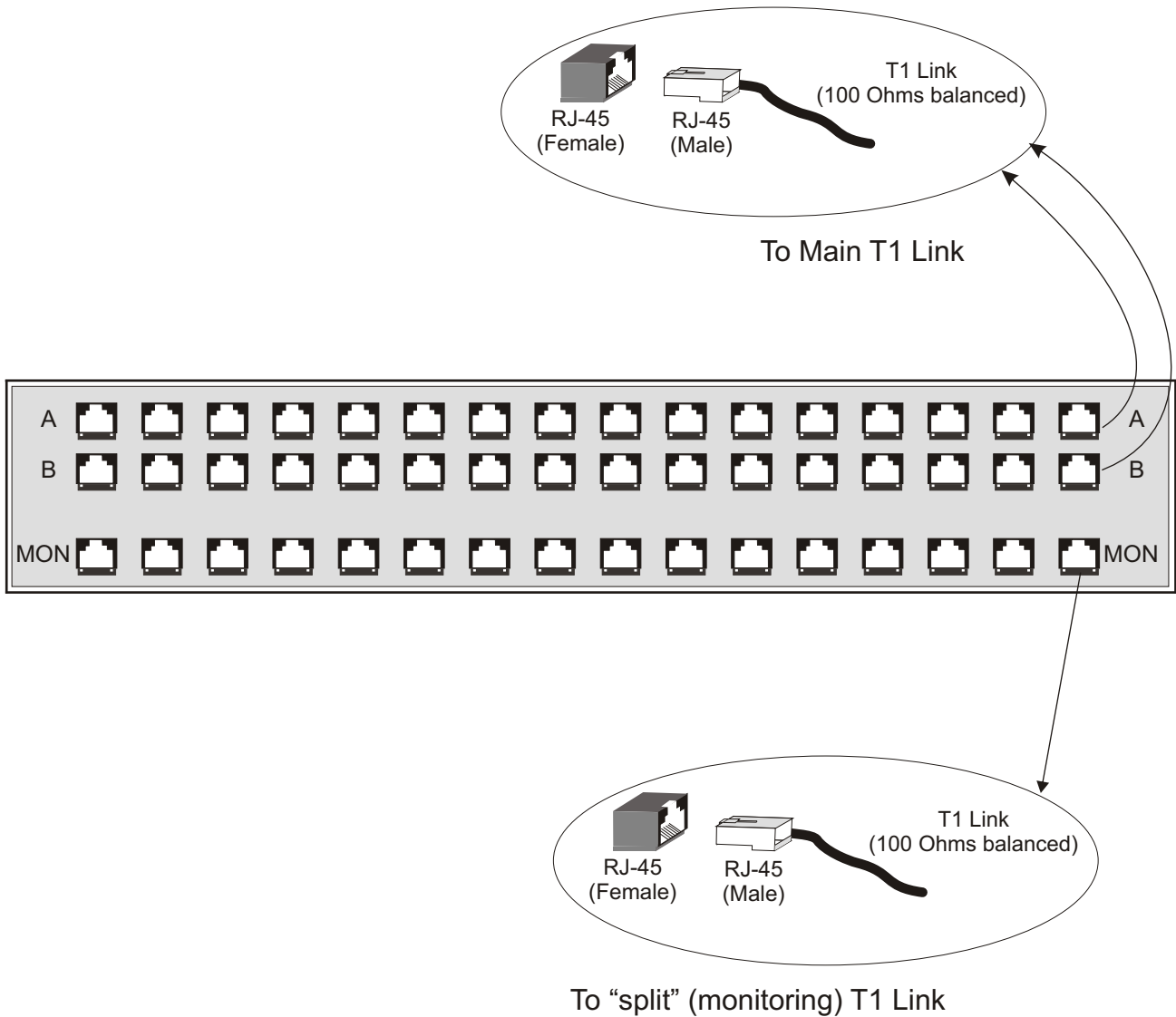
This Port (Port **A**) connects to the Main T1 link.



This Port (Port **B**) connects to the Main T1 link.

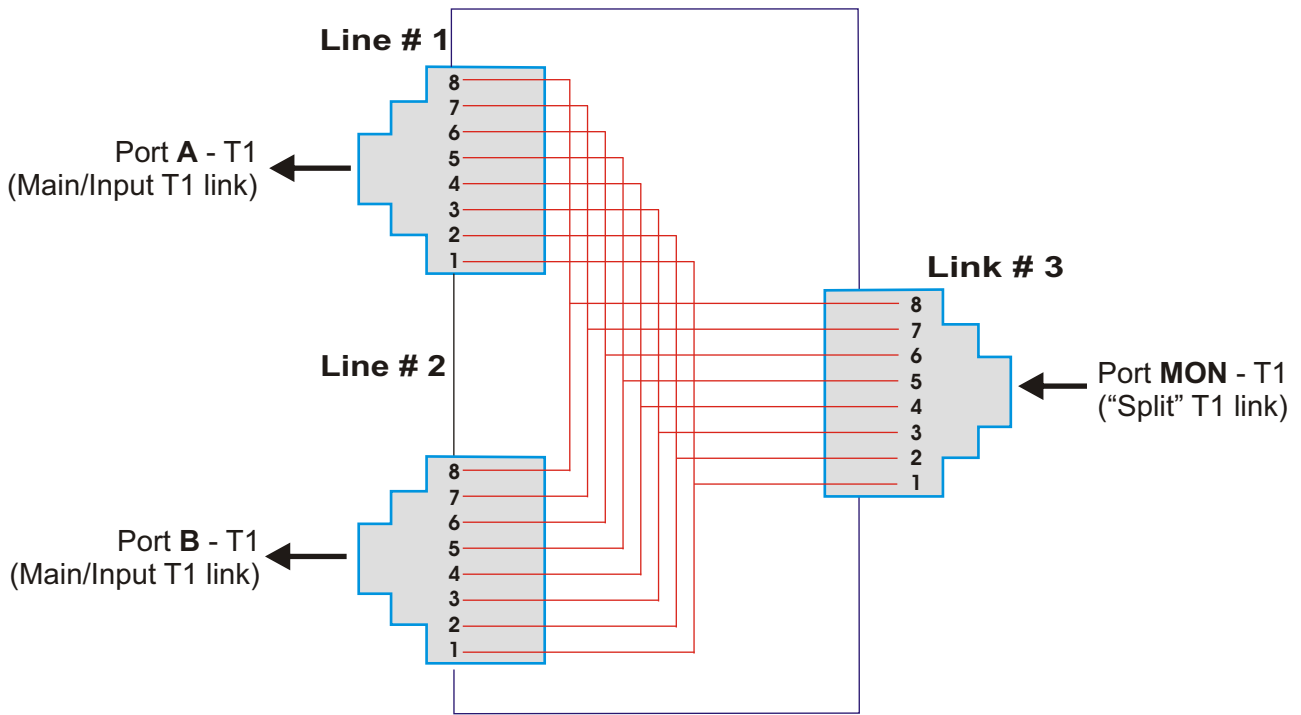
The RJ-45 connectors (Row A and Row B) are used for patching the (Data IN / Data OUT) Main T1 Link.

### Connecting the “Split” T1 Link on the T1 (100 Ohms) Splitter



The MON Port (RJ-45 Connectors in the Row marked **MON**) provide the “Split” mirror image of the Main T1 link patched between the RJ-45 connectors on Row A and Row B.

### 16 x T1 Splitter (100 Ohms) Panel - Circuit Schematic



**Splitter Panel**

R = 0 Ohm

### Mechanical Specification

Rack Mounting	Standard 19 Inch. DIN Rack
Height	133.33mm.
Depth	292mm.
Width	482mm.
Weight	1.4 kg.

### Ordering Information

16 x T1, 100 Ohms Splitter			
S No.	Part #	Product Description	Qty
1	VCL-1240-SPLIT-100	16 x T1, 100 Ohms Splitter	1

