

VALIANT COMMUNICATIONS LIMITED



VCL-Ethernet over DS3 Switch (Ethernet to DS3 Switch)

Product Brochure & Data Sheet

VALIANT COMMUNICATIONS LIMITED

71/1, Shivaji Marg, New Delhi - 110015, India

Phone: +91-11 4105 5601, +91-11 4105 5602,
+91-11 4105 5603, +91-11 2592 8415,
+91-11 2592 8416, +91-11 2541 0053

Fax: +91-11 4105 5604, +91-11 2543 4300

E-mail: getinfo@valiantcom.com

Website: <http://www.valiantcom.com>

VALIANT COMMUNICATIONS (UK) LTD

1, Acton Hill Mews,
310-328 Uxbridge Road,
London W3 9QN
United Kingdom

E-mail : uk@valiantcom.com

Website: <http://www.valiantcom.com>

Product Overview

Valiant offers its Ethernet over DS3 Switch (Ethernet to DS3 Switch) packaged in a 19-inch rack-mountable chassis.

Valiant Ethernet over DS3 Switch (Ethernet over DS3 Switch) provides a four 100BaseT Ethernet and 100Base-FX optical ethernet interfaces on the user side which may be used to transport Ethernet traffic over a DS3 link. Both ethernet interfaces may be used simultaneously. The Switch provides a simple and cost effective method to convert and transport ethernet data over an DS3 link.

Ethernet over DS3 Switch



Front View

Features and Highlights

- Ethernet interface to DS3 45 Mbps converter
- 4x100BaseT full duplex fast ethernet interface in accordance with IEEE802.3
- 3x100BaseT full duplex fast ethernet interface + 1x100Base-FX full duplex optical ethernet interface accordance with IEEE802.3
- Framed and un-framed DS3 options available
- Local and Remote access and monitoring with either RS232 or 10/100BaseT for remote management over TCP-IP network
- Power Supply: - 48 V DC or 110 V AC power supply options available.

Applications

- 100 BaseT Ethernet and 100Base-FX optical to DS3 conversion (Ethernet over DS3).

Indications and Alarm Monitoring

- DS3 Loss of Signal
- Loss of DS3 frame (in framed DS3 mode)
- Loss of incoming signal at 100 BaseT Ethernet
- Loss of ethernet packets, errored ethernet packets, over-sized ethernet packets and under-sized ethernet packets log.
- Configuration Error Alarm
- Clock Status
- +3 Volts Power Supply
- -48V DC present
- Configuration Error

Programmable Features

- Telnet interface for remote programming and monitoring by using CLI text commands
- Easy to use programming using Windows based GUI.

Status Monitoring

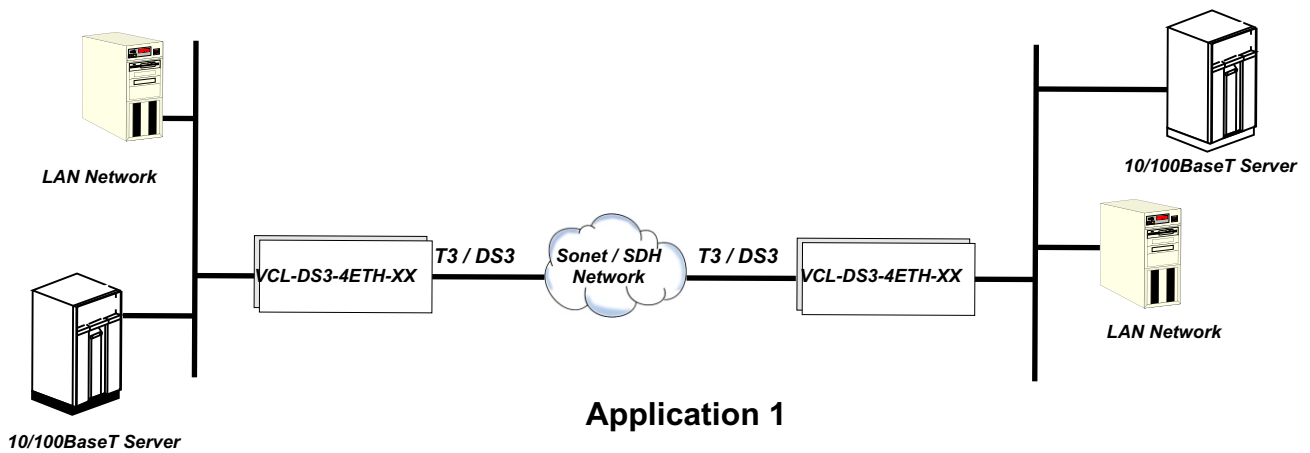
- Status of alarms on DS3 interface
- Status of alarms on 100BaseT interface.

Ethernet Interface

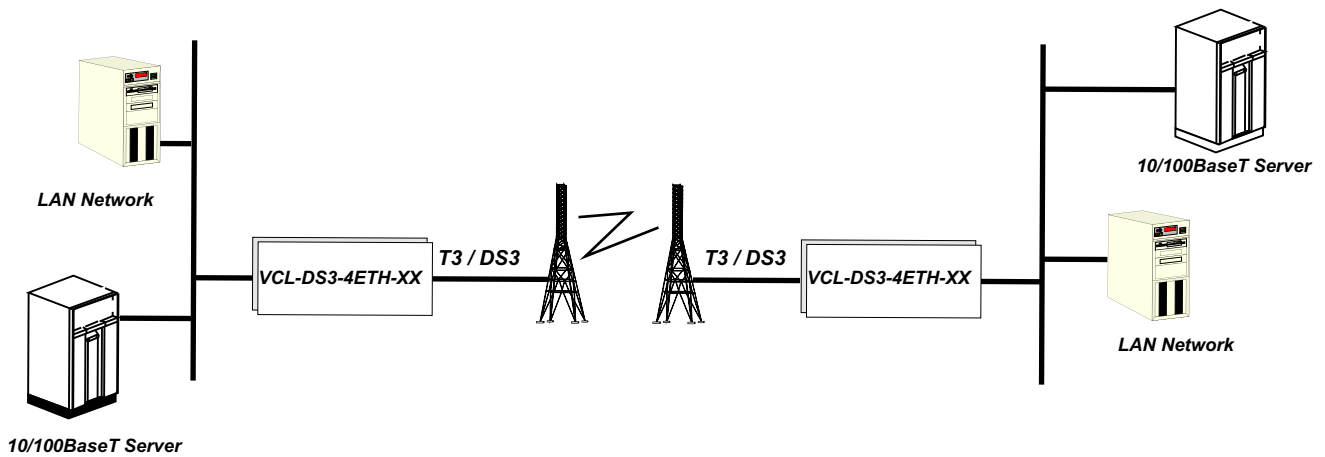
Interface Types	100BaseT and 100Base-FX optical
Standards Compliance	IEEE 802.3-2002 RFC1662 RFC2615 X.86 RMII
Interface Rate	100BaseT limited to DS3 transmission rate
Protocol	HDLC/X.86 (LAPS) Encapsulation

DS3 Interface

Bit Rate	44.736 Mbps
Bit Rate Tolerance	± 20 ppm
Line Code	B3ZS
Framing options *	Meets ANSI T1.404 M13 (M23) C-Bit Un-framed
Pulse Shape	Meets ANSI T1.102-1993 and Bellcore GR-499-CORE
Connectors	BNC, Co-axial Un-balanced
Impedance	75 Ohms



**Remote LAN Connections over
Optical Sonet/SDH Network**



Remote LAN Connections over Wireless T3 / DS3

Technical Specifications

DC Adapter Power Supply Specifications (DC Option)

Power Supply	-48V DC (-40V DC to -60V DC)
Input DC voltage	-48V DC (nominal)
Range of input	-40V to -60V DC
Output voltages	+3.3V
Full Load Output Current	2A at +3.3V
Input Voltage Reversal Protection	Provided in the Card
Over Current Protection	2A for +3.3V
Short Circuit Protection	Current limit - 3A. Recovers on removal of short
Under Voltage	< 3.17V
Over Voltage	3.5V
Efficiency at full load	>90%
Ripple at full load	<5mVrms
Spike at full load	<50mV

AC Power Supply Specifications (AC Option)

Input AC voltage of AC Adapter	100 - 240 Volt AC
Range of input AC voltage	100 V to 240 V AC
System Input voltage	7.5 V DC to 9.0 V DC, DC input polarity protection.
Maximum full load output Current	2.5 A at 7.5 V DC/9.0 V DC
Input voltage reversal Protection	Provided in the Card
Efficiency at full load	>86%

Power Supply options

Power Supply	-48V DC (-40V DC to -60V DC) (Optional)*
Power Supply	AC input (Optional)*

* Please specify the Power Supply Option (AC or DC) which is required before placing the order. Please see ordering information in this data sheet for details.

Power Consumption

Power Consumption	9 Watts
-------------------	---------

Chassis

1U High (42 mm)
19-inch rack-mounting shelf.

Number of Ethernet Interface

10/100BaseT (Electrical)	4
10/100BaseT Electrical +100Base FX Optical	3 Electrical and 1 Optical

100BaseT Interface (Electrical Ethernet)

Interface Types	100BaseT
Standards Compliance	IEEE 802.3-2002 RFC1662 RFC2615 X.86 RMII
Interface Rate	100BaseT limited to DS3 transmission rate
Protocol	HDLC/X.86 (LAPS) Encapsulation
Connectors	RJ-45 (100 BaseT Electrical)

100Base-FX Interface (Optical Ethernet)

Interface Types	100Base-FX
Standards Compliance	IEEE 802.3-2002 RFC1662 RFC2615 X.86 RMII
Interface Rate	100Base-FX optical limited to DS3 transmission rate
Protocol	HDLC/X.86 (LAPS) Encapsulation
Connectors	SC

Ethernet Interface Specifications - 100Base-FX (Optical) - 850nm Multi Mode**Transmitter Optical Characteristics**

Parameter	Minimum	Typical	Maximum
Data Rate		125Mb/s	
Center Wavelength	830nm	850nm	860nm
Output Spectral Width (RMS)			0.85nm
Average Output power	-10dBm		-3dBm
Output optical Eye	Complaint with ITU-T G.957		
Connectors	SC		

Receiver Optical Characteristics

Parameter	Minimum	Typical	Maximum
Data Rate		125Mb/s	
Receive Sensitivity	-24dBm		
Maximum Input Power			-3dBm
Operating Wavelength	-10dBm	850nm	
Connectors	SC		

Ethernet Interface Specifications - 100Base-FX (Optical) - 1310nm Single Mode**Transmitter Optical Characteristics**

Parameter	Minimum	Typical	Maximum
Data Rate		125Mb/s	
Center Wavelength	1260nm	1310nm	1360nm
Output Spectral Width (RMS)			6nm
Average Output power	-15dBm	-12dBm	-8dBm
Output optical Eye	Complaint with ITU-T G.957		
Connectors	SC		

Receiver Optical Characteristics

Parameter	Minimum	Typical	Maximum
Data Rate		125Mb/s	
Receive Sensitivity	-32dBm		
Maximum Input Power			-15dBm
Operating Wavelength	1100nm		1600nm
Connectors	SC		

Ethernet Interface Specifications - 100Base-FX (Optical) - 1550nm Single Mode**Transmitter Optical Characteristics**

Parameter	Minimum	Typical	Maximum
Data Rate		125Mb/s	
Center Wavelength	1480nm	1550nm	1580nm
Output Spectral Width (RMS)			4nm
Average Output power	-15dBm	-12dBm	-8dBm
Output optical Eye	Complaint with ITU-T G.957		
Connectors	SC		

Receiver Optical Characteristics

Parameter	Minimum	Typical	Maximum
Data Rate		125Mb/s	
Receive Sensitivity	-32dBm		
Maximum Input Power			-15dBm
Operating Wavelength	1100nm		1600nm
Connectors	SC		

DS3 (T3) Interface

Number of DS3 Interfaces	One
Bit rate	44.736 Mbps
Bit rate tolerance	+/- 20ppm
Line code	B3ZS
Framing options *	M13 (M23) C-Bit Un-framed
Pulse shape	Meets ANSI T1.102-1993 and Bellcore GR-499-CORE
Connectors	BNC, Co-axial Un-balanced
Impedance	75 Ohms
Signal level to declare loss of signal condition	≤ 20mV
Signal level to clear loss of signal condition	≥ 90mV

Framing options * - All framing options are user selectable.

Clock

Internal	System Internal Clock
Loop-Timed	Timed from DS3 Interface

Management and Control

Serial Management Port - RS232 Interface
10/100 BaseT for Remote Management over a LAN
10/100 BaseT Telnet over a TCP-IP Network

Command Language

Command Line Interface (English text commands)
Windows based GUI (optional)

NMS (with Telnet) XPort Specifications

Network interface	RJ-45 Ethernet 10BaseT or 100BaseT-TX (auto sensing)
Compatibility	Ethernet Version 2.0 IEEE802.3
Protocols supported	ARP, UDP/IP, TCP/IP, Telnet, ICMP, SNMP, DHCP, BOOTP, TFTP, Auto IP, SMTP and HTTP
LEDs	10Base-T and 100Base-TX Activity, Full/half duplex
Management	Internal web server, SNMP (read only), Serial login, Telnet login
EMI compliance	Radiated and conducted emissions - complies with Class B limits of EN55022:1998 Direct and Indirect ESD - complies with EN55024:1998 RF Electromagnetic Field Immunity - complies with EN55024:1998 Electrical Fast Transient/Burst Immunity - complies with EN55024:1998 Power Frequency Magnetic Field Immunity - complies with EN55024:1998 RF Common Mode Conducted Susceptibility - complies with EN55024:1998

Ordering Information

VCL-Ethernet over DS3 Switch		
S. No.	Part #	Product Description
1.	VCL-DS3-4ETH-DC-STD-UF	Ethernet over DS3 Switch with -48V DC Input (unframed DS3)
2.	VCL-DS3-4ETH-AC-STD-UF	Ethernet over DS3 Switch with AC Power Input (unframed DS3)
3.	VCL-DS3-4ETH-DC-DLX-F	Ethernet over DS3 Switch with -48V DC Input (unframed and framed DS3 - user selectable)
4.	VCL-DS3-4ETH-AC-DLX-F	Ethernet over DS3 Switch with AC Power Input (unframed and framed DS3 - user selectable)
5.	VCL-DS3-4ETH-DC-DLX-850	Ethernet over DS3 Switch with -48V DC Power option, 3x100BaseT Electrical and 1x100Base-FX optical Interface with 850 nm wave length
6.	VCL-DS3-4ETH-AC-DLX-850	Ethernet over DS3 Switch with AC Power option, 3x100BaseT Electrical and 1x100Base-FX optical Interface with 850 nm wave length
7.	VCL-DS3-4ETH-DC-DLX-1310	Ethernet over DS3 Switch with -48V DC Power option, 3x100BaseT Electrical and 1x100Base-FX optical Interface with 1310 nm wave length
8.	VCL-DS3-4ETH-AC-DLX-1310	Ethernet over DS3 Switch with AC Power option, 3x100BaseT Electrical and 1x100Base-FX optical Interface with 1310 nm wave length
9.	VCL-DS3-4ETH-DC-DLX-1550	Ethernet over DS3 Switch with -48V DC Power option, 3x100BaseT Electrical and 1x100Base-FX optical Interface with 1550 nm wave length
10.	VCL-DS3-4ETH-AC-DLX-1550	Ethernet over DS3 Switch with AC Power option, 3x100BaseT Electrical and 1x100Base-FX optical Interface with 1550 nm wave length

Note:

All DLX models provide both framed and un-framed DS3 options (user-programmable).

